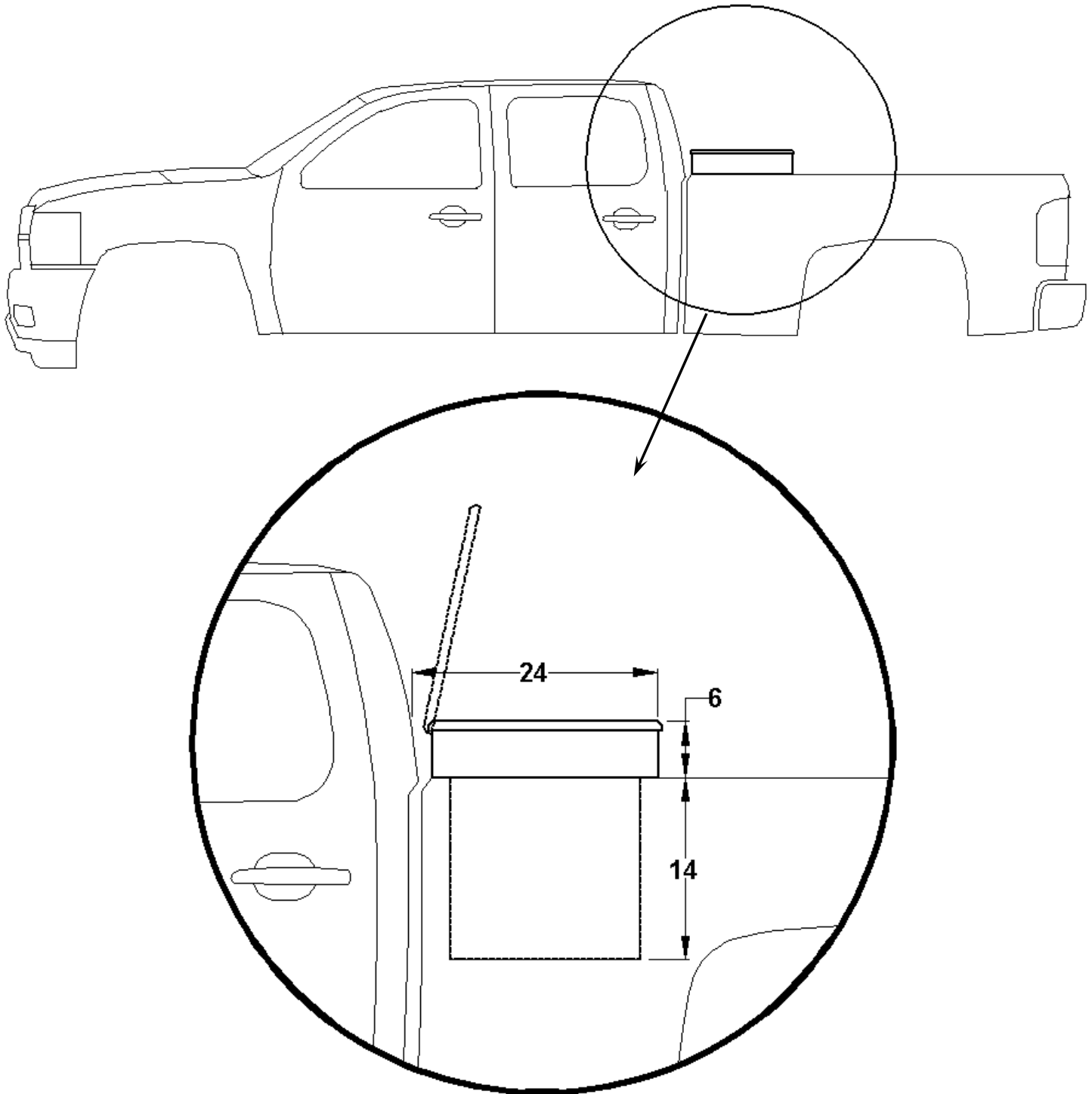




Elite Series Clearance Measurements



To make sure a Concealed Outdoors Elite Model will fit your pickup you need to do the following:

- Measure up 6" from the top of your bed rail and mark this height on the rear window.
- Measure from this window mark 24" towards the rear of truck and mark spot on top of bed rail.
- Measure from this bed rail mark straight down 14" on the inside of your bed and make sure that the end of the tape measure does not come into contact with your wheel well.